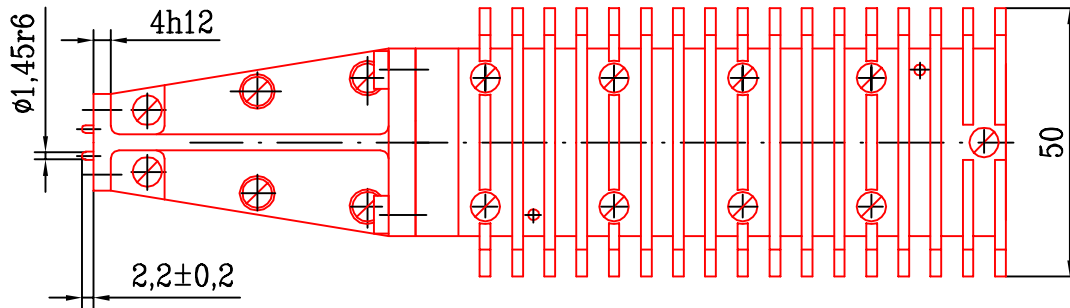
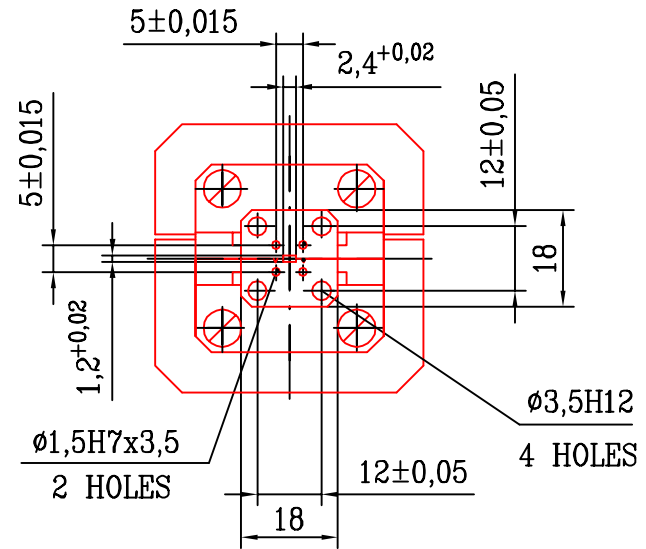
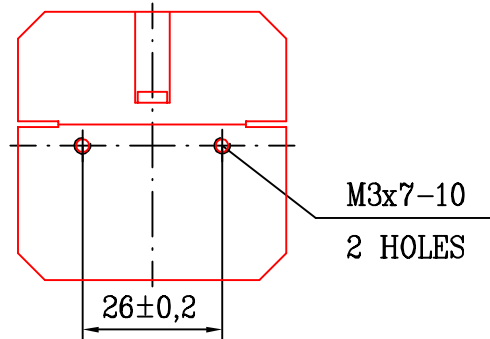



A



A



UNLESS OTHERWISE SPECIFIED DIMENSIONS ARE IN MM TOLERANCES ON	APPROVALS		DATE	 <b>D&amp;M Co "Ferrit-Quasar"</b> 190004, Russia, St. Petersburg, Tsvetochynaya St. 6 Phone/fax : 7 812 3887915/7 812 3883145 E-mail : info@ferrite-quasar.ru WWW : www.ferrite-quasar.ru	
	DRAWN	SEROVA	03.02.23		
DECIMALS	ANGLES	CHECKED	GOROBETS		03.02.23
.X± .1	-	ISSUED			
.XX± .05				<b>4TWM93-3</b> OUTLINE DRAWING	
.XXX± -					
MATERIAL	SIZE	A3	SCALE	1:1	
SURFACE COATING	SHEET	-	OF	1	
				N° DWG	FQ-W-0025