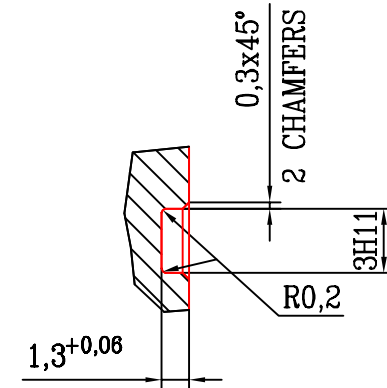



A-A(4:1)



UNLESS OTHERWISE SPECIFIED DIMENSIONS ARE IN MM TOLERANCES ON	APPROVALS		DATE	 <b>D&amp;M Co "Ferrit-Quasar"</b> 190004, Russia, St. Petersburg, Tsvetochynaya St. 6 Phone/fax : 7 812 3887915/7 812 3883145 E-mail : info@ferrite-quasar.ru WWW : www.ferrite-quasar.ru
	DRAWN	MIKHAYLOVA	08.02.23	
DECIMALS	ANGLES	CHECKED	GOROBETS	08.02.23
.X± .1	-	ISSUED		
.XX± .05				
.XXX± -				
MATERIAL				4TWH15-5 OUTLINE DRAWING
SURFACE COATING	SIZE A3	SCALE 1:1	N° DWG	FQ-W-0026
	SHEET -	OF 1		