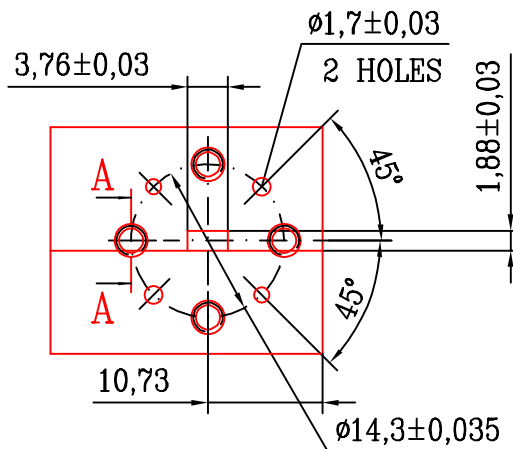
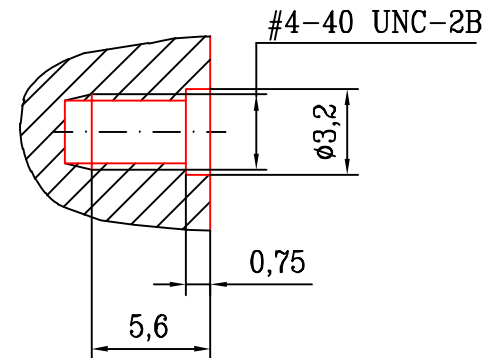



A-A (5:1)



UNLESS OTHERWISE SPECIFIED DIMENSIONS ARE IN MM TOLERANCES ON	APPROVALS		DATE	 D&M Co "Ferrit-Quasar" 190084, Russia, St. Petersburg, Tsvetochaya St. 6 Phone/fax : 7 812 3887915/7 812 3883145 E-mail : info@ferrite-quasar.ru WWW : www.ferrite-quasar.ru
	DRAWN	SEROVA	17.07.24	
DECIMALS .X± .1 .XX± .05 .XXX± -	ANGLES -	CHECKED	GOROBETS	17.07.24
MATERIAL	ISSUED			
SURFACE COATING	SIZE	A3	SCALE	2:1
	SHEET	-	OF	1
		N° DWG	F'Q-W-0059	
		4IW55-2 OUTLINE DRAWING		