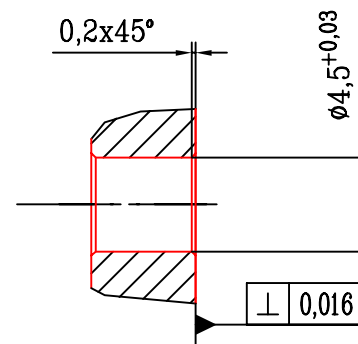



Б-Б (4:1)



UNLESS OTHERWISE SPECIFIED DIMENSIONS ARE IN MM TOLERANCES ON	APPROVALS		DATE	 D&M Co "Ferrit-Quasar" 190004, Russia, St. Petersburg, Tavolochnaya St. 6 Phone/fax : 7 812 3887915/7 812 3883145 E-mail : info@ferrite-quasar.ru WWW : www.ferrite-quasar.ru
	DRAWN	MIKHAYLOVA	10.02.23	
DECIMALS .X± .1 .XX± .05 .XXX± -	ANGLES	CHECKED	GOROBETS	10.02.23
MATERIAL		ISSUED		
SURFACE COATING	SIZE A3	SCALE	1:1	N° DWG FQ-W-0033
	SHEET -	OF	1	
3TWN93-1 OUTLINE DRAWING				