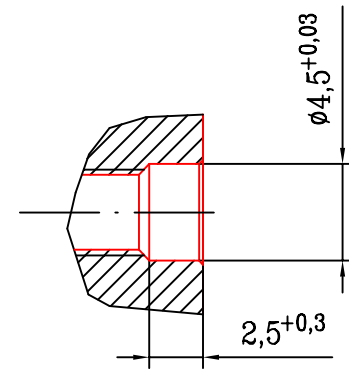



A-A (4:1)



UNLESS OTHERWISE SPECIFIED DIMENSIONS ARE IN MM TOLERANCES ON	APPROVALS		DATE	 D&M Co "Ferrit-Quasar" 190004, Russia, St. Petersburg, Tsvetochynaya St. 6 Phone/fax : 7 812 3887915/7 812 3883145 E-mail : info@ferrite-quasar.ru WWW : www.ferrite-quasar.ru
	DRAWN	SEROVA	03.02.23	
DECIMALS ANGLES .X± .1 - .XX± .05 .XXX± -	CHECKED	GOROBETS	03.02.23	3TWH95-1 OUTLINE DRAWING
	ISSUED			
MATERIAL	SIZE A3		SCALE 1:1	N° DWG
SURFACE COATING	SHEET -	OF	1	