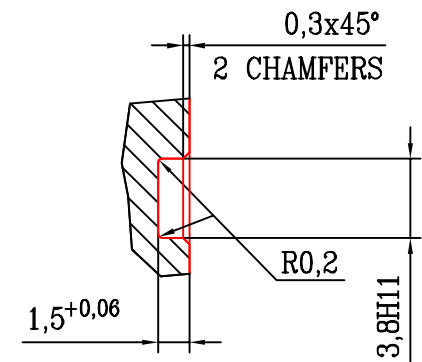



A-A(4:1)



UNLESS OTHERWISE SPECIFIED DIMENSIONS ARE IN MM TOLERANCES ON	APPROVALS		DATE	 D&M Co "Ferrit-Quasar" 190004, Russia, St. Petersburg, Tsvetochnaya St. 6 Phone/fax : 7 812 3887915/7 812 3883145 E-mail : info@ferrite-quasar.ru WWW : www.ferrite-quasar.ru	
	DRAWN	MIKHAYLOVA	08.02.23		
	CHECKED	GOROBETS	08.02.23		
	ISSUED				
DECIMALS .X± .1 .XX± .05 .XXX± -	ANGLES -			3TWH87-4 OUTLINE DRAWING	
MATERIAL					
SURFACE COATING	SIZE	A3	SCALE	1:1	
	SHEET	-	OF	1	
				N° DWG	FQ-W-0027