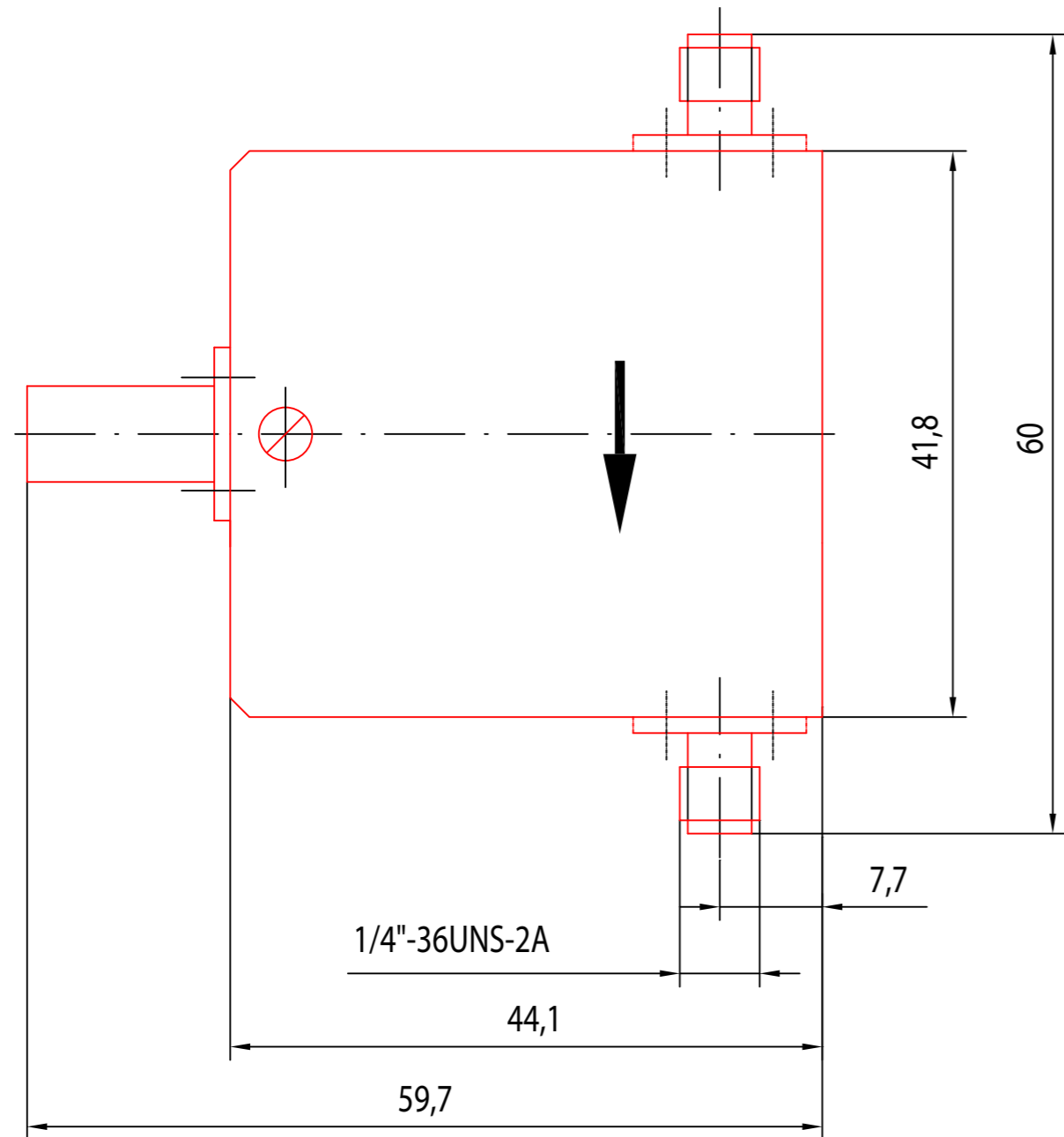
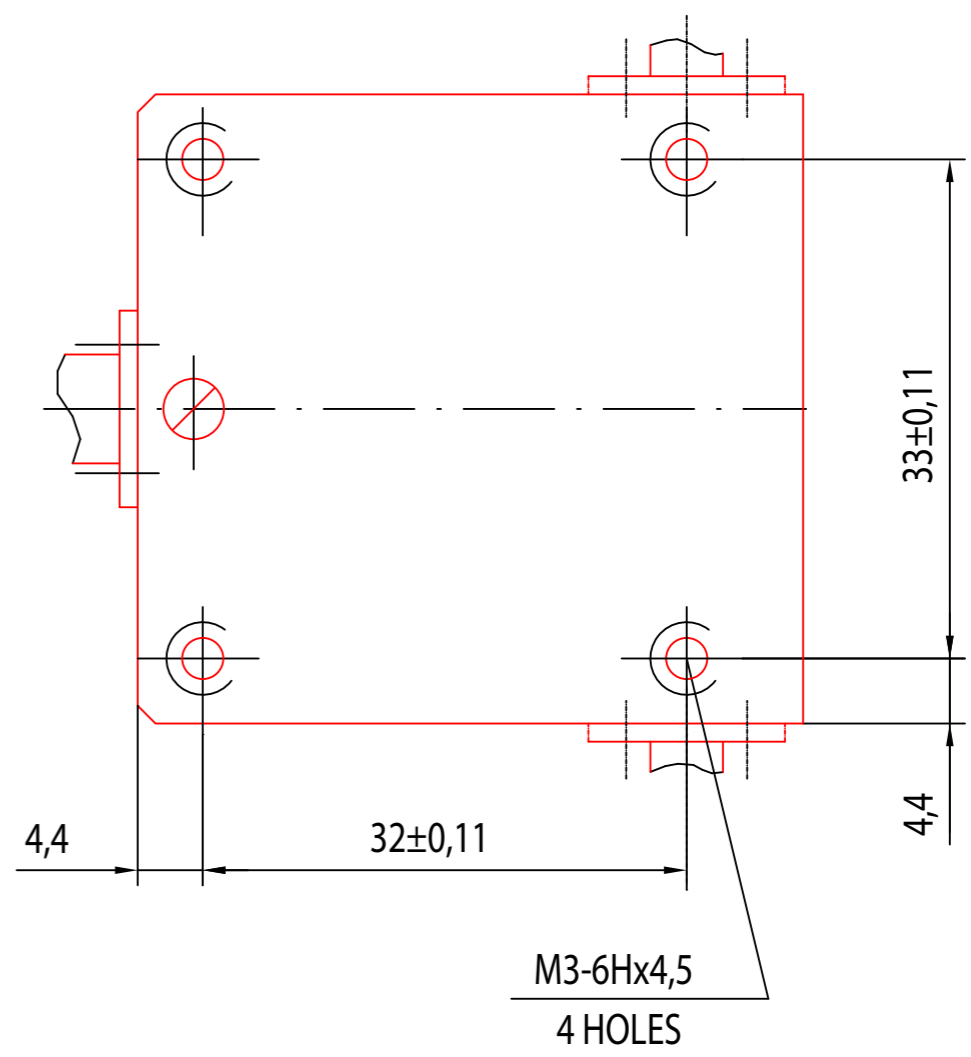



A



A



UNLESS OTHERWISE SPECIFIED DIMENSIONS ARE IN MM TOLERANCES ON	APPROVALS		DATE	 <b>D&amp;M Co "Ferrit-Quasar"</b> 196084, Russia, St. Petersburg, Chernigovskaya St. 8 Phone/fax : 7 812 3887915/7 812 3883145 E-mail : info@ferrite-quasar.ru WWW : www.ferrite-quasar.ru
	DRAWN	SEROVA	20.01.12	
DECIMALS      ANGLES .X□ .1 .XX□ - .XXX□ -	CHECKED	GOROBETS	20.01.12	<b>3ICS40-1-Sff</b> OUTLINE DRAWING
	ISSUED			
MATERIAL				№ DWG <b>FQ-C-0043</b>
SURFACE COATING NICEL PLATED	SIZE <b>A3</b>	SCALE <b>2:1</b>		
	SHEET -	OF 1		