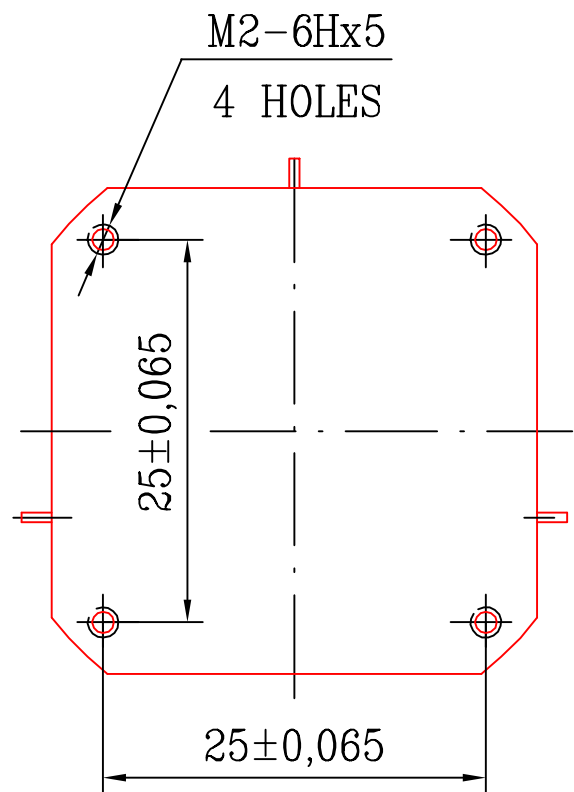
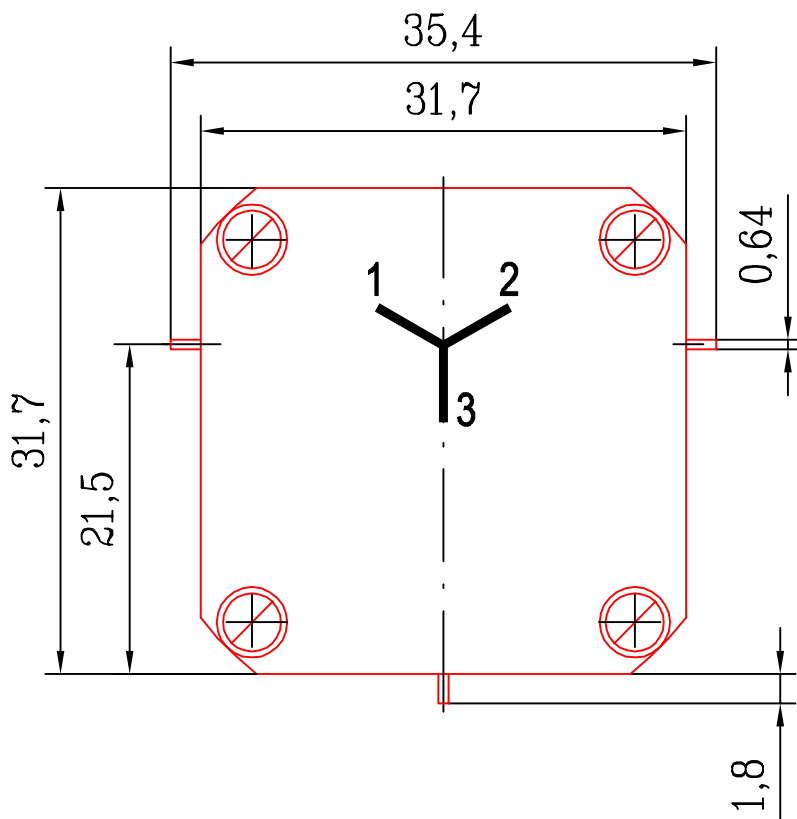


A



UNLESS OTHERWISE SPECIFIED
DIMENSIONS ARE IN MM
TOLERANCES ON

APPROVALS

DATE

DRAWN SEROVA 22.09.22

CHECKED GOROBETS 22.09.22

ISSUED

DECIMALS ANGLES
.X± .1
.XX± -
.XXX± -

MATERIAL

SURFACE COATING

-

SIZE A4 SCALE 2:1

SHEET - OF 1



D&M Co "Ferrit-Quasar"

196084, Russia, St. Petersburg, Tsvetochnaya St. 6
Phone/fax : 7 812 3887915/7 812 3883145
E-mail : info@ferrite-quasar.ru
WWW : www.ferrite-quasar.ru

3CDS28-1

OUTLINE DRAWING

N° DWG

FQ-D-0004