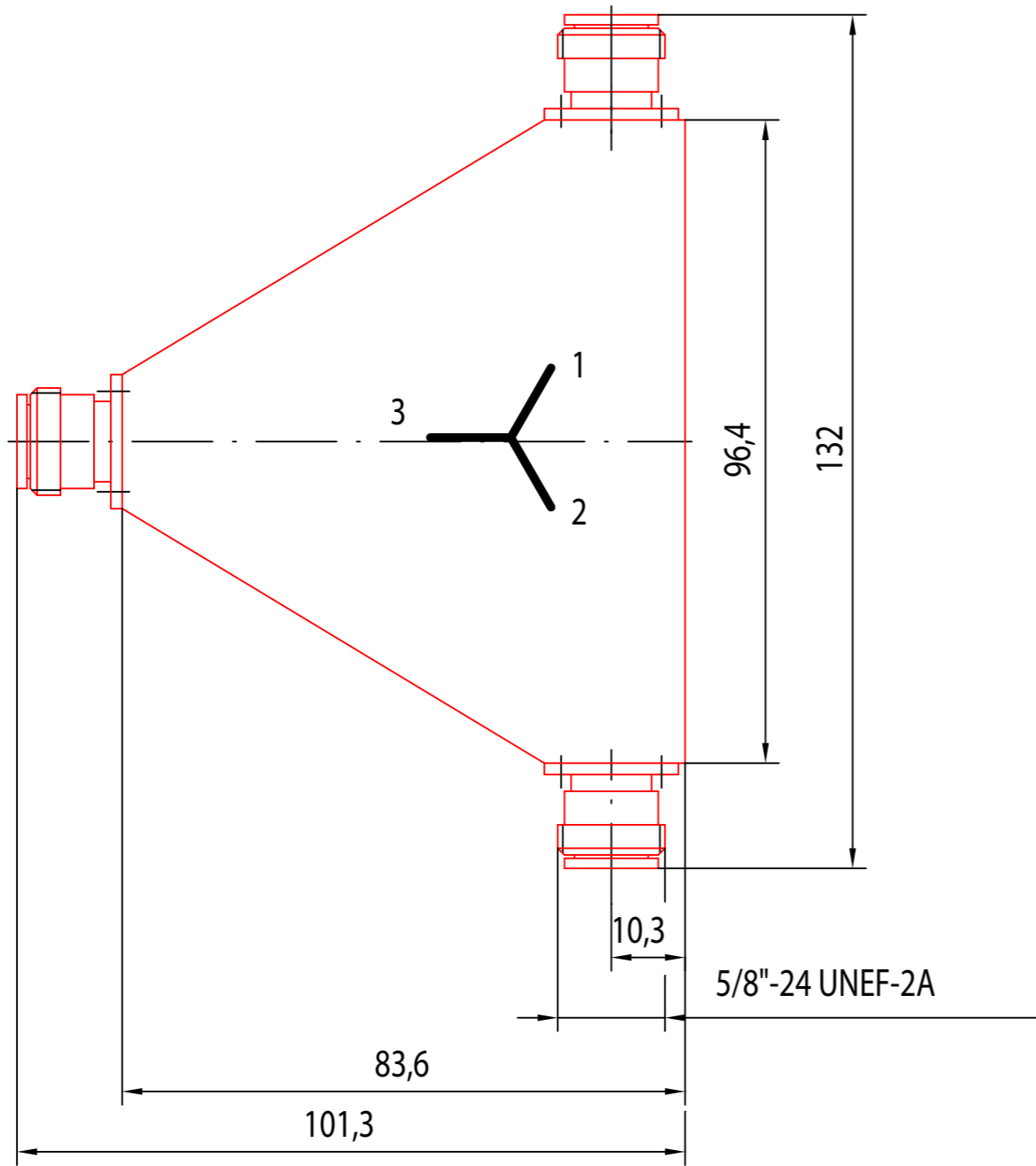
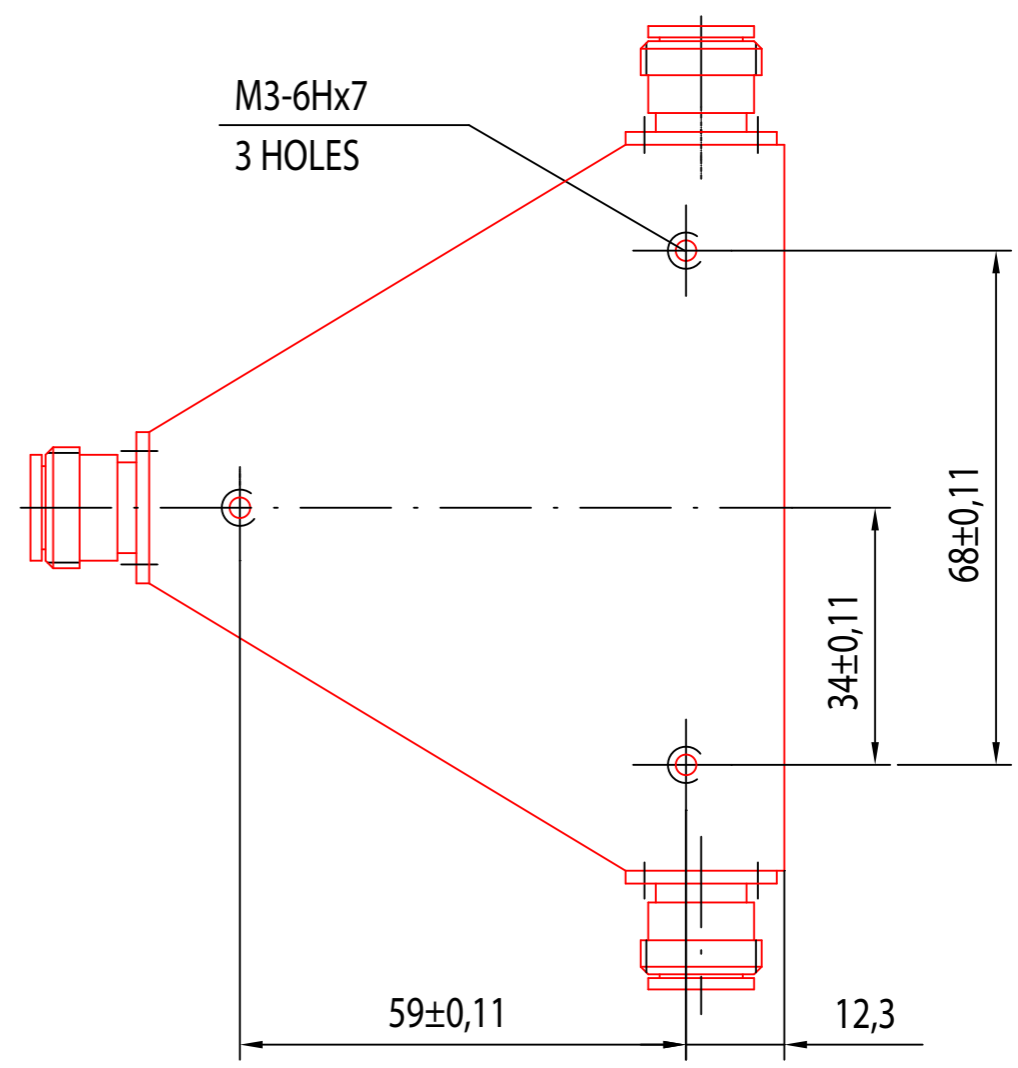



A



A



UNLESS OTHERWISE SPECIFIED DIMENSIONS ARE IN MM TOLERANCES ON	APPROVALS		DATE	 <b>D&amp;M Co "Ferrit-Quasar"</b> 196084, Russia, St. Petersburg, Chernigovskaya St. 8 Phone/fax: 7 812 3887915/7 812 3883145 E-mail: info@ferrite-quasar.ru WWW: www.ferrite-quasar.ru	
	DRAWN	SEROVA	20.02.12		
DECIMALS .X□ .1 .XX□ - .XXX□ -	ANGLES	CHECKED	GOROBETS	20.02.12	
			ISSUED		
MATERIAL			<b>3CCM15-1-Nfff</b> OUTLINE DRAWING		
SURFACE COATING NICEL PLATED	SIZE	A3			SCALE
	SHEET	-	OF	1	№ DWG <b>FQ-C-0061</b>