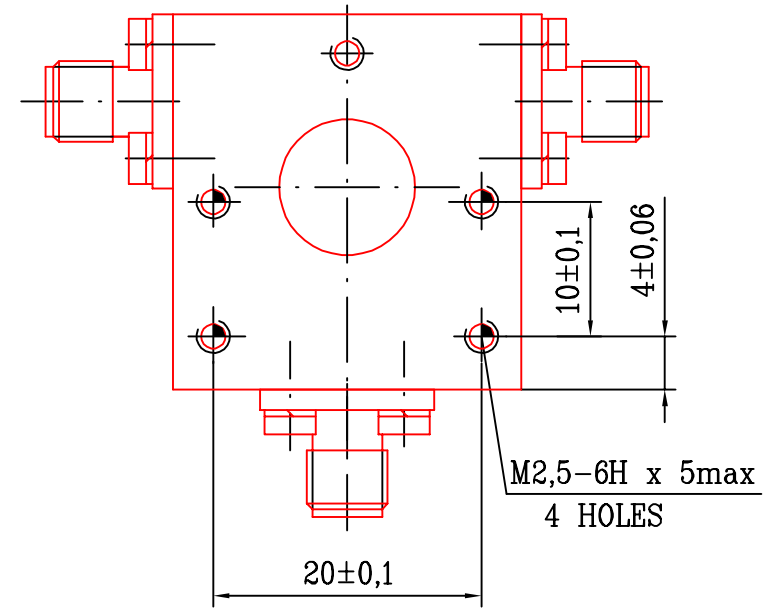
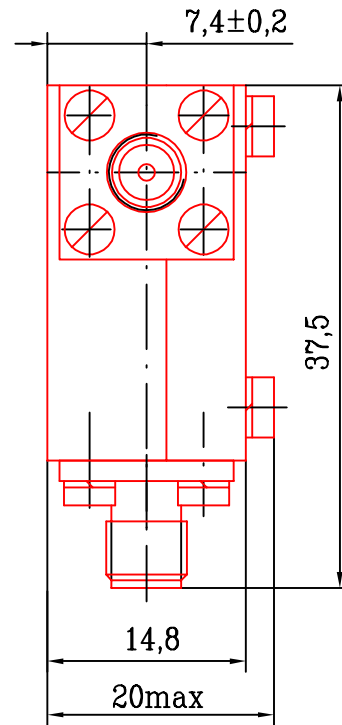
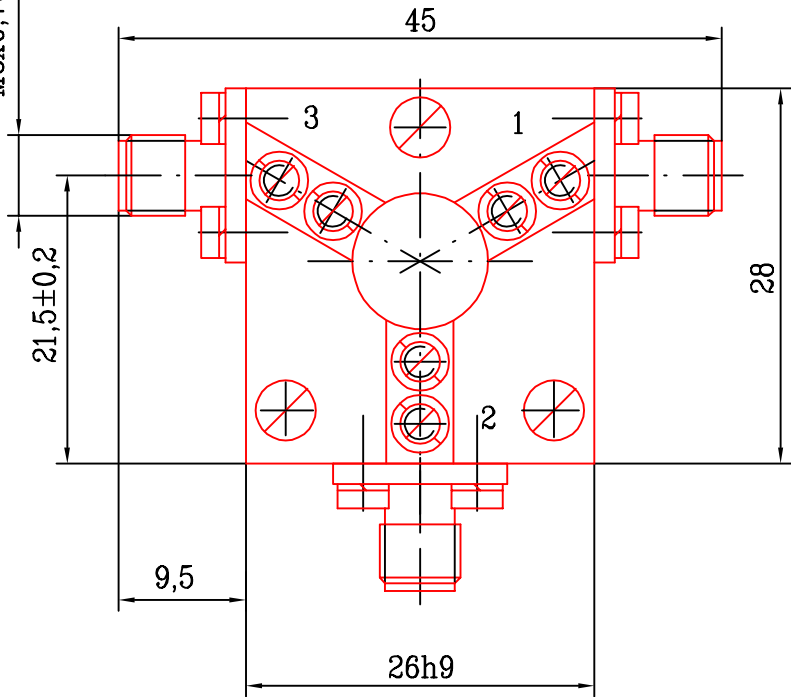



M6x0,75-6g



UNLESS OTHERWISE SPECIFIED DIMENSIONS ARE IN MM TOLERANCES ON	APPROVALS		DATE	 D&M Co "Ferrit-Quasar" 190064, Russia, St. Petersburg, Tsvetochynaya St. 6 Phone/fax : 7 812 3887915/7 812 3883145 E-mail : info@ferrite-quasar.ru WWW : www.ferrite-quasar.ru
	DRAWN	Сорова	15.06.23	
DECIMALS	ANGLES	CHECKED	Горобуц	15.06.23
.X± -		ISSUED		
.XX± -	-			3CCL75-1-3fff OUTLINE DRAWING
.XXX± -				
MATERIAL	SIZE A3		SCALE 2,5:1	N° DWG FQ-C-0188
SURFACE COATING	SHEET -		OF 1	