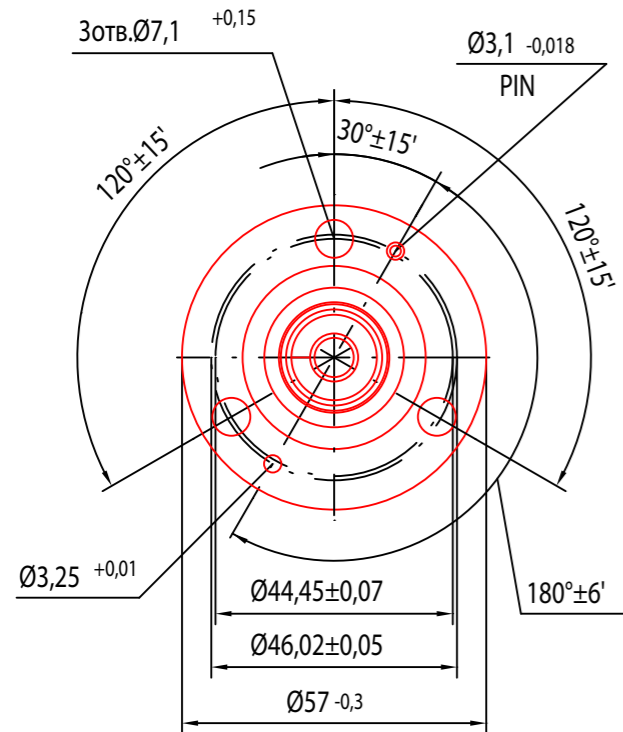
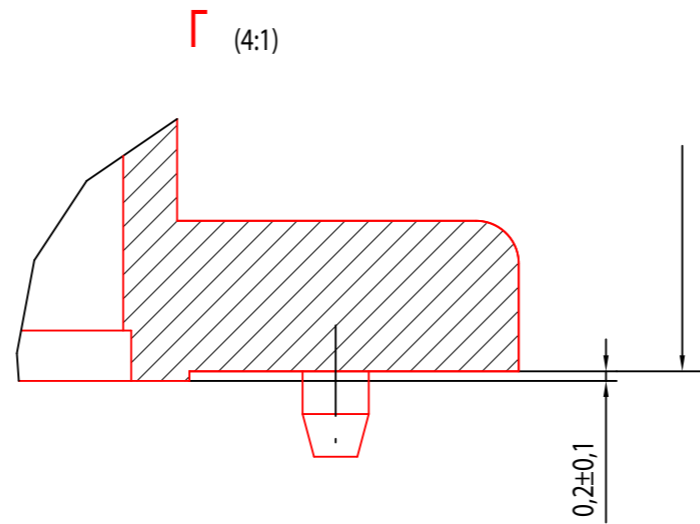


A, B, B



G (4:1)



UNLESS OTHERWISE SPECIFIED DIMENSIONS ARE IN MM TOLERANCES ON	APPROVALS		DATE	D&M Co "Ferrit-Quasar" 196084, Russia, St. Petersburg, Chernigovskaya St. 8 Phone/fax: +7 812 3887915/7 812 3883145 E-mail: info@ferrite-quasar.ru WWW: www.ferrite-quasar.ru
	DRAWN	MIKHAYLOVA	12.05.12	
DECIMALS .X±.2 .XX± - .XXX± -	ANGLES	CHECKED	GOROBETS	12.05.12
			ISSUED	
MATERIAL			<b>3CCH30-3</b> OUTLINE DRAWING	
SURFACE COATING PAINTED	SIZE	A2	SCALE	1:1
	SHEET	-	OF	1
			N° DWG	<b>FQ-C-0079</b>