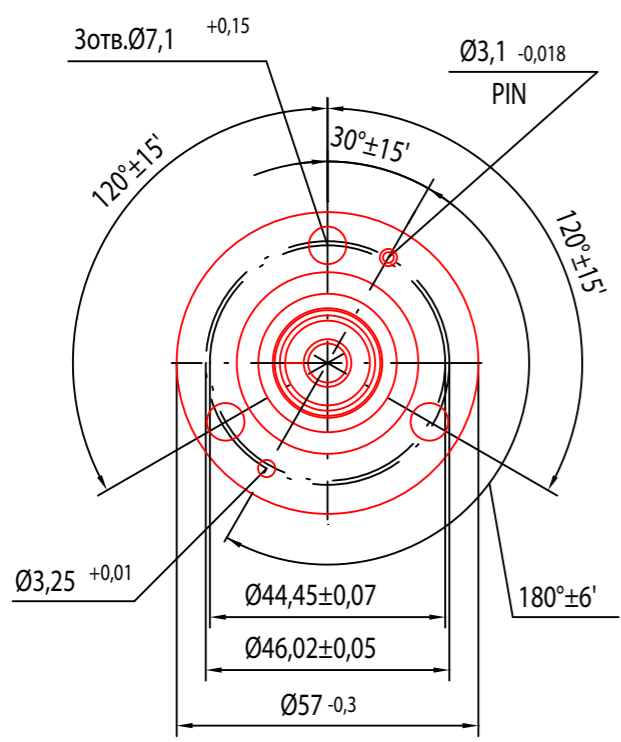
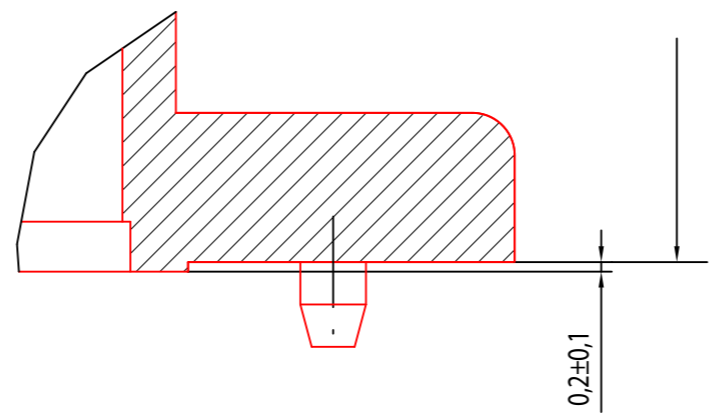


A, B, B



Г (4:1)



UNLESS OTHERWISE SPECIFIED DIMENSIONS ARE IN MM TOLERANCES ON	APPROVALS		DATE	D&M Co "Ferrit-Quasar" 196084, Russia, St. Petersburg, Chernigovskaya St. 8 Phone/fax : 7 812 3887915/7 812 3883145 E-mail : info@ferrite-quasar.ru WWW : www.ferrite-quasar.ru
	DRAWN	MIKHAYLOVA	12.05.12	
DECIMALS	ANGLES	CHECKED	GOROBETS	12.05.12
.X±.2	-	ISSUED		
.XX±.	-			3CCH15-3 OUTLINE DRAWING
.XXX±.	-			
MATERIAL				№ DWG FQ-C-0077
SURFACE COATING	SIZE A2	SCALE 1:21		
PAINTED	SHEET -	OF 1		