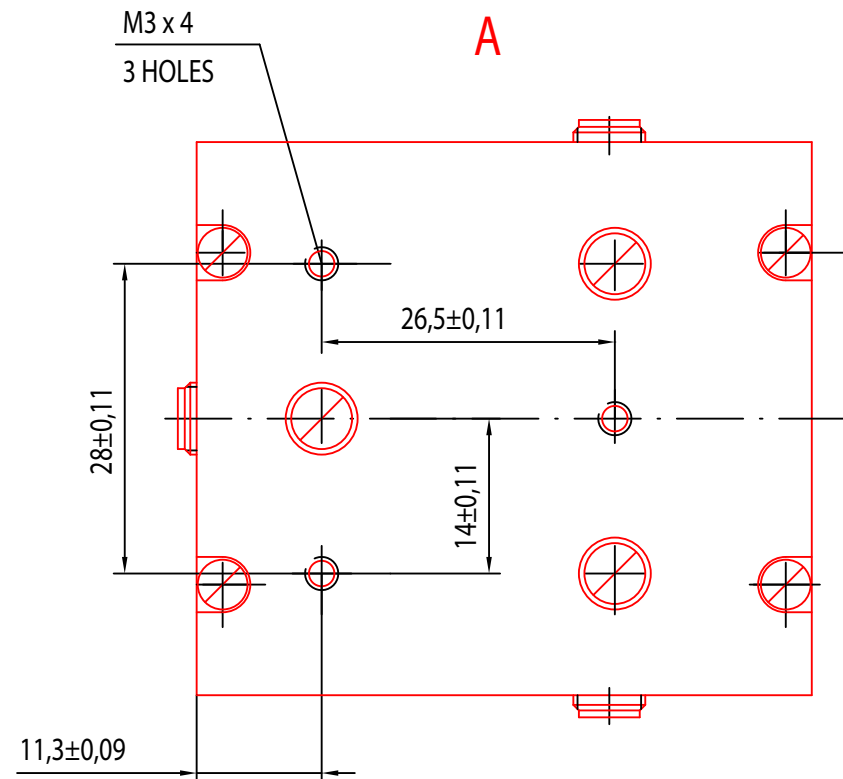
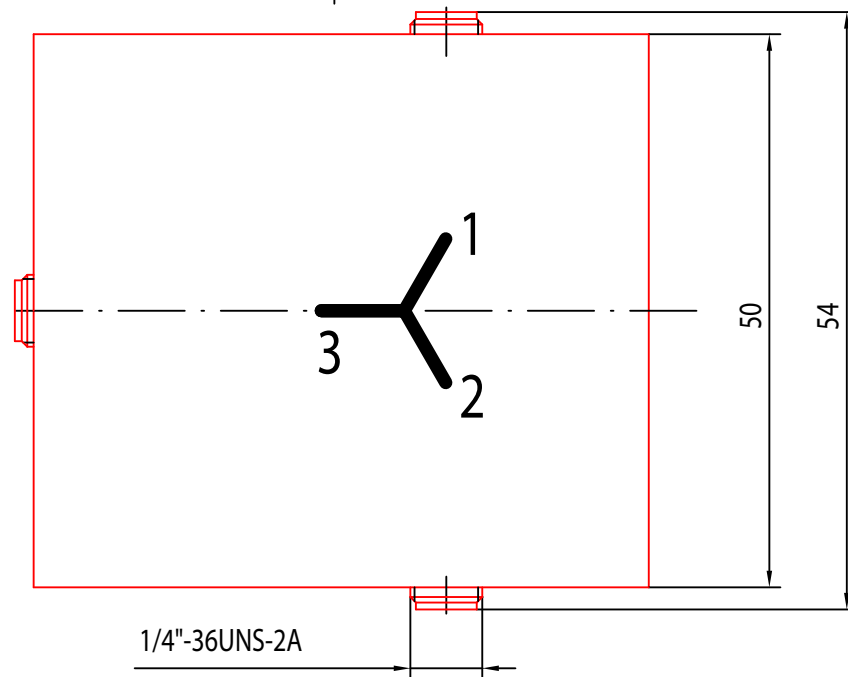



A



UNLESS OTHERWISE SPECIFIED DIMENSIONS ARE IN MM TOLERANCES ON	APPROVALS		DATE	 <b>D&amp;M Co "Ferrit-Quasar"</b> 196084, Russia, St. Petersburg, Chernigovskaya St. 8 Phone/fax : 7 812 3887915/7 812 3883145 E-mail : info@ferrite-quasar.ru WWW : www.ferrite-quasar.ru
	DRAWN	MIKHAYLOVA	17.01.17	
DECIMALS      ANGLES .X± .1 .XX± - .XXX± -	CHECKED	GOROBETS	17.01.17	<b>3CCC16-2-MS-Sfff</b> OUTLINE DRAWING
	ISSUED			
MATERIAL	SIZE    A3		SCALE    2:1	N° DWG <b>FQ-C-0132</b>
SURFACE COATING NICEL PLATED	SHEET    -		OF        1	