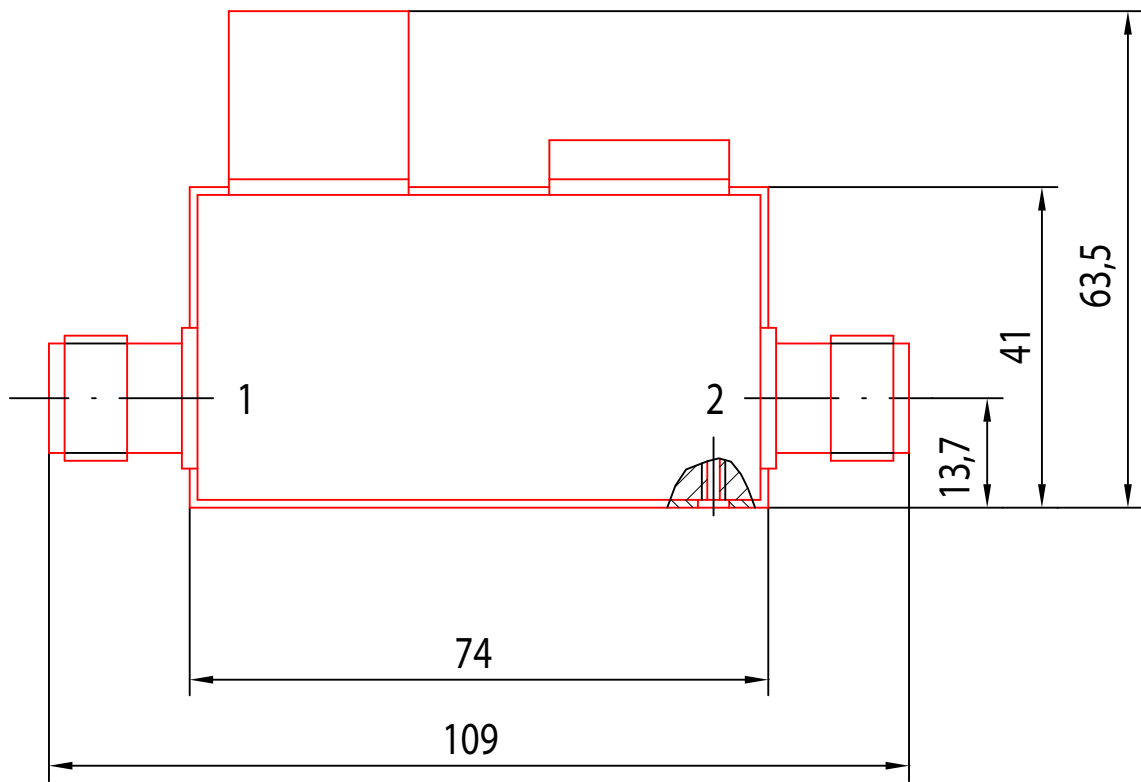
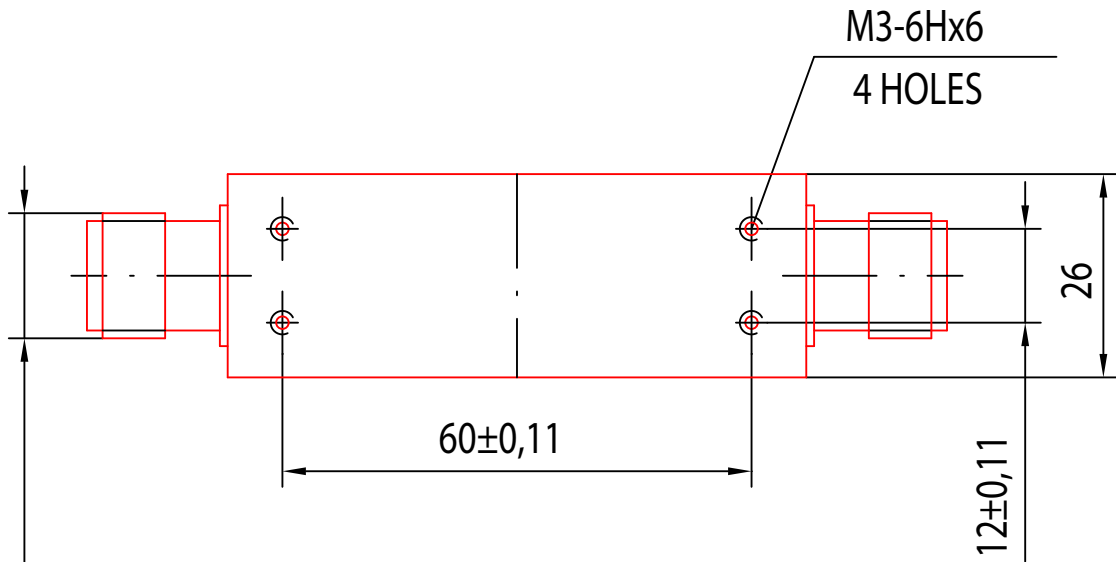



5/8"-24 UNEF-2A



UNLESS OTHERWISE SPECIFIED DIMENSIONS ARE IN MM TOLERANCES ON	APPROVALS		DATE	 <b>D&amp;M Co "Ferrit-Quasar"</b> 196084, Russia, St. Petersburg, Chernigovskaya St. 8 Phone/fax : 7 812 3887915/7 812 3883145 E-mail : info@ferrite-quasar.ru WWW : www.ferrite-quasar.ru	
	DRAWN	<b>SEROVA</b>	02.07.12		
DECIMALS	ANGLES	CHECKED	<b>GOROBETS</b>		02.07.12
.X± .1		ISSUED			
.XX± -	-			<b>2ICX85-1-Nff</b> OUTLINE DRAWING	
.XXX± -					
MATERIAL	SIZE <b>A4</b>		SCALE <b>1:1</b>	N° DWG	
SURFACE COATING NICEL PLATED	SHEET -		OF 1		<b>FQ-C-0092</b>