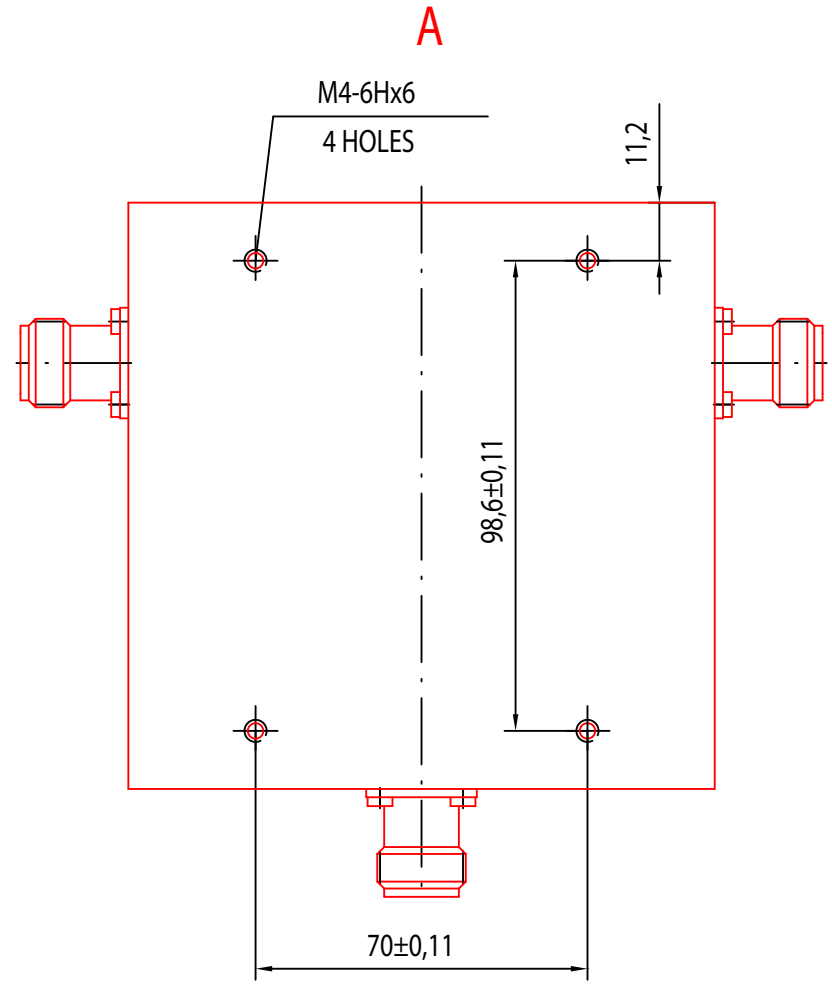
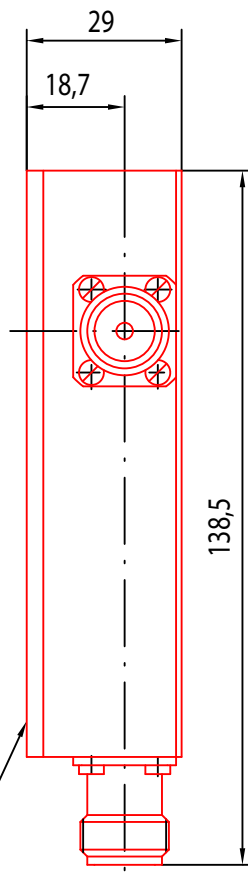
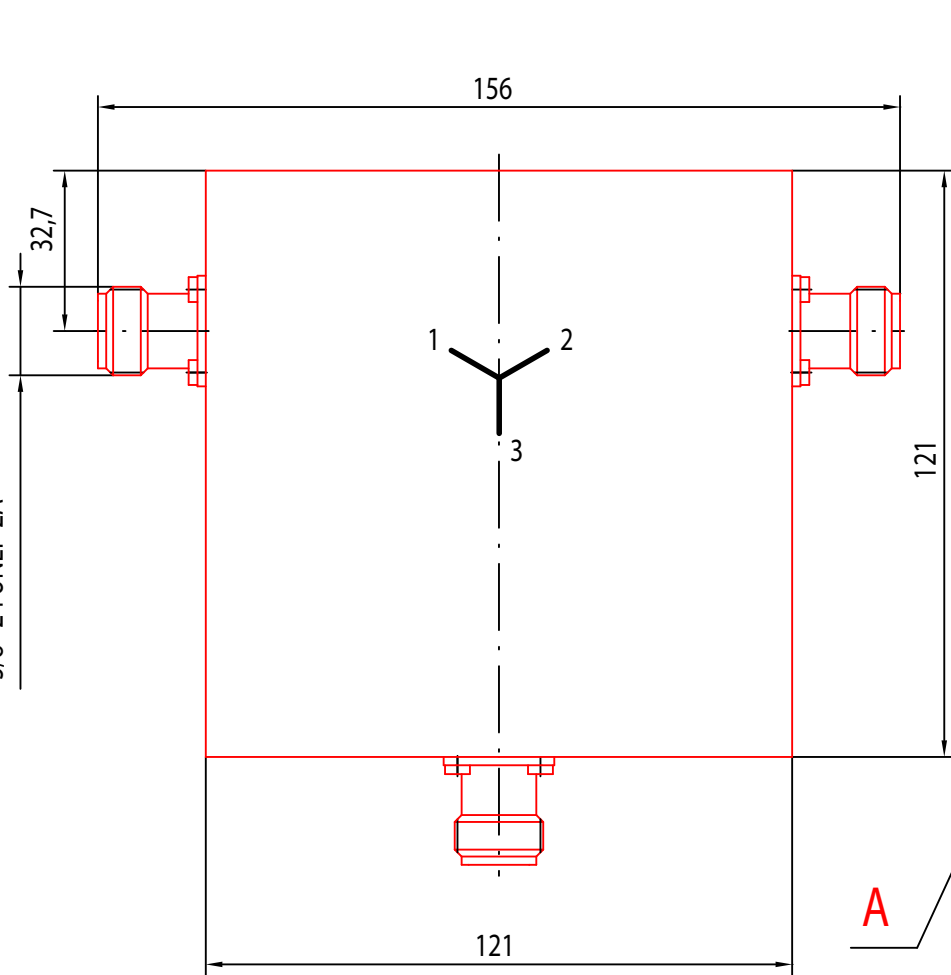



5/8"-24 UNEF-2A



A

UNLESS OTHERWISE SPECIFIED DIMENSIONS ARE IN MM TOLERANCES ON	APPROVALS		DATE	 D&M Co "Ferrit-Quasar" 196084, Russia, St. Petersburg, Chernigovskaya St. 8 Phone/fax : 7 812 3887915/7 812 3883145 E-mail : info@ferrite-quasar.ru WWW : www.ferrite-quasar.ru				
	DRAWN	MIKHAYLOVA	03.07.12					
DECIMALS	ANGLES	CHECKED	GOROBETS	03.07.12				
.X± -		ISSUED						
.XX± -	-			2CCM12-1-Nfff OUTLINE DRAWING				
.XXX± -								
MATERIAL			SIZE	A3	SCALE	1:1	N° DWG	FQ-C-0105
SURFACE COATING			SHEET	-	OF	1		
NICEL PLATED								