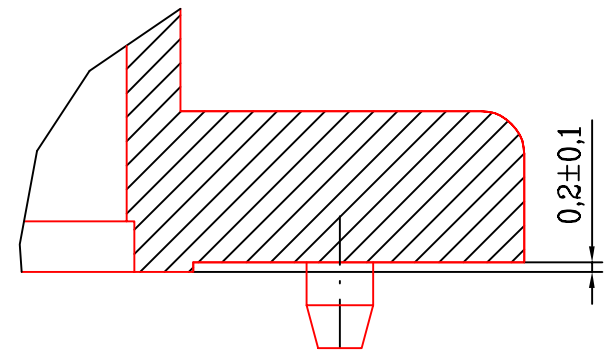
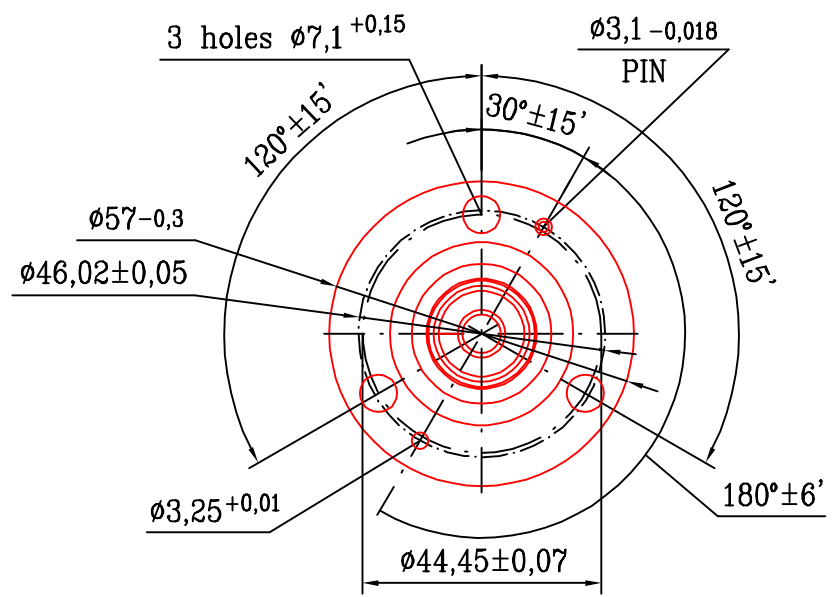



D (4:1)



A, B, C (1:1)



UNLESS OTHERWISE SPECIFIED DIMENSIONS ARE IN MM TOLERANCES ON	APPROVALS		DATE	 D&M Co "Ferrit-Quasar" 190064, Russia, St. Petersburg, Chernigovskaya St. 8 Phone/fax : 7 812 3887915/7 812 3883145 E-mail : info@ferrite-quasar.ru WWW : www.ferrite-quasar.ru
	DRAWN	SEROVA	29.11.24	
DECIMALS .X± .1 .XX± .05 .XXX± -	CHECKED		GOROBETS	29.11.24
	ISSUED			
MATERIAL				2CCH60-1-7/8fff OUTLINE DRAWING
SURFACE COATING	SIZE	A3	SCALE	1:2
	SHEET	-	OF	1
		N° DWG	FQ-C-0198	