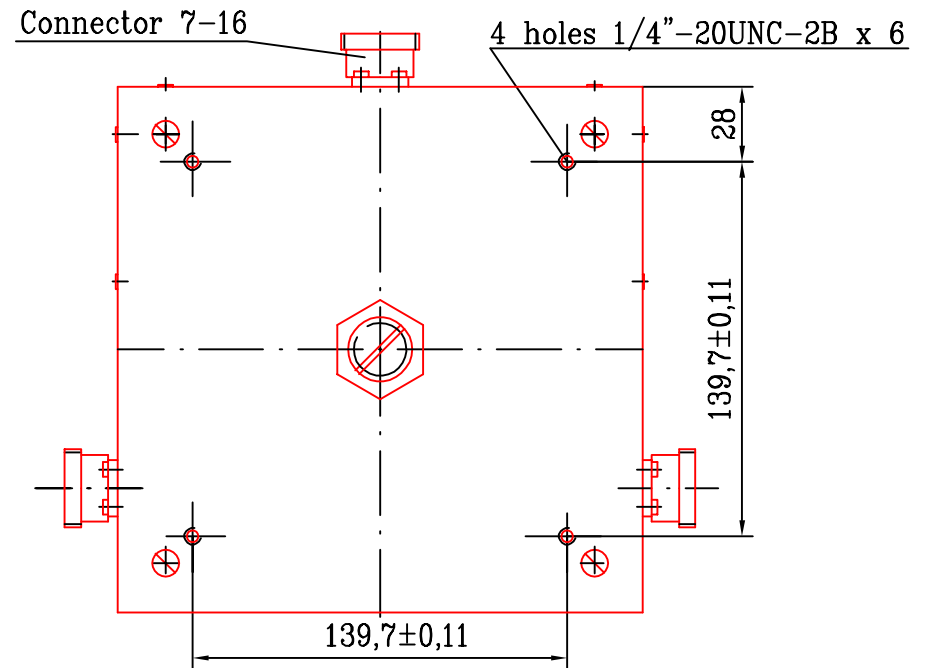
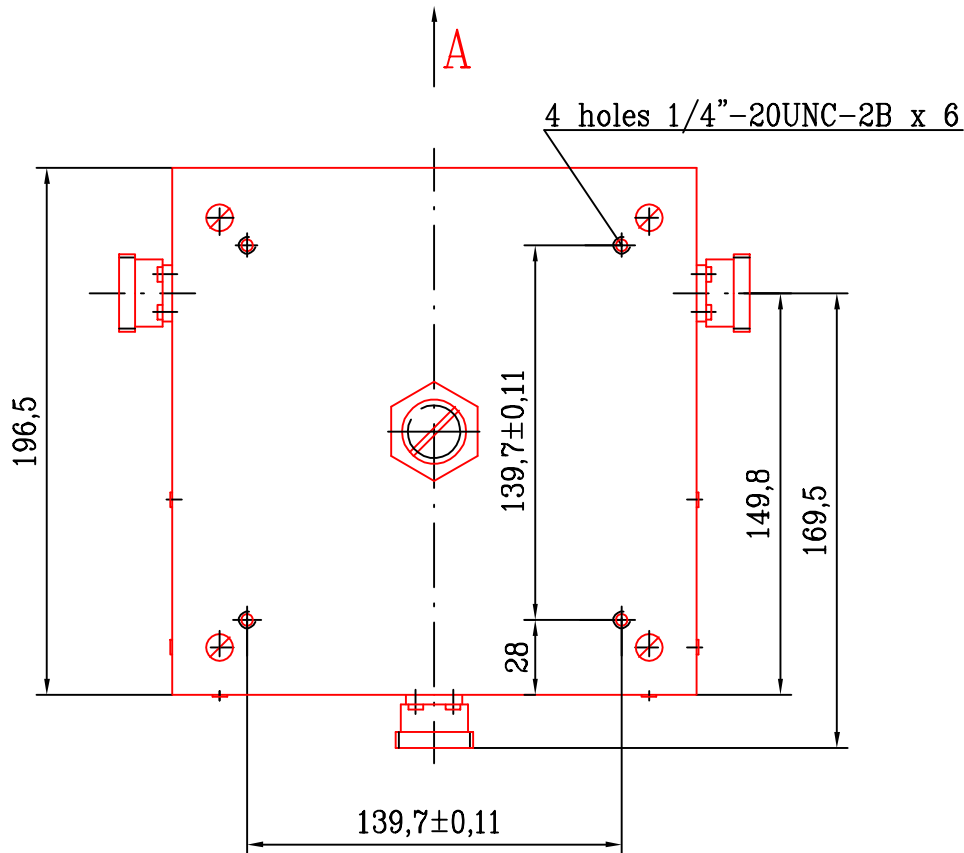



A



UNLESS OTHERWISE SPECIFIED DIMENSIONS ARE IN MM TOLERANCES ON	APPROVALS		DATE	 D&M Co "Ferrit-Quasar" 190004, Russia, St. Petersburg, Chernigovskaya St. 8 Phone/fax : 7 812 3887915/7 812 3883145 E-mail : info@ferrite-quasar.ru WWW : www.ferrite-quasar.ru	
	DRAWN	MIKHAYLOVA	15.11.24		
DECIMALS .X± .1 .XX± .05 .XXX± -	ANGLES			2CCH10-1-7/16fff OUTLINE DRAWING	
	-				
MATERIAL	CHECKED	GOROBETS	15.11.24	N° DWG FQ-C-0197	
SURFACE COATING	ISSUED				
		SIZE	A3	SCALE	1:2
	SHEET	-	OF	1	