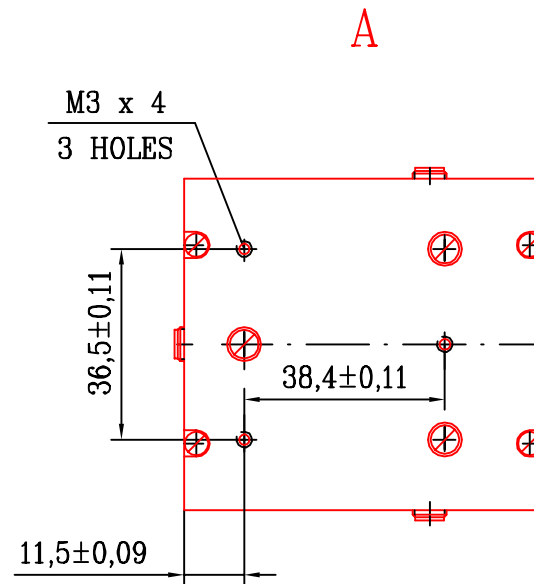
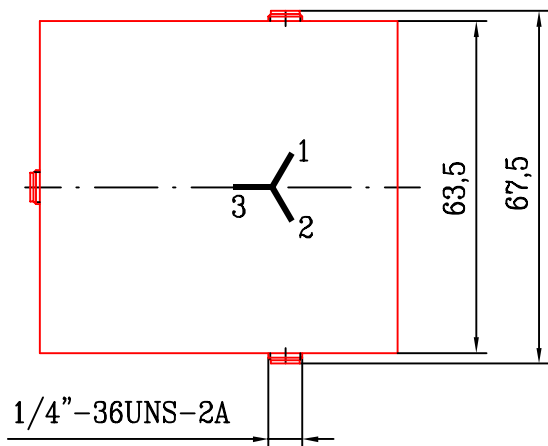



A



UNLESS OTHERWISE SPECIFIED DIMENSIONS ARE IN MM TOLERANCES ON	APPROVALS		DATE	 <b>D&amp;M Co "Ferrit-Quasar"</b> 190004, Russia, St. Petersburg, Tsvetochnaya St. 6 Phone/fax : 7 812 3887915/7 812 3883145 E-mail : info@ferrite-quasar.ru WWW : www.ferrite-quasar.ru	
	DRAWN	MIKHAYLOVA	03.03.23		
DECIMALS .X± .1 .XX± .05 .XXX± -	ANGLES	CHECKED	GOROBETS	03.03.23	
MATERIAL		ISSUED			
SURFACE COATING		SIZE	A3	SCALE	1:1
		SHEET	-	OF	1
				2CCC60-1-MS-Sfff OUTLINE DRAWING	
				N° DWG FQ-C-0176	