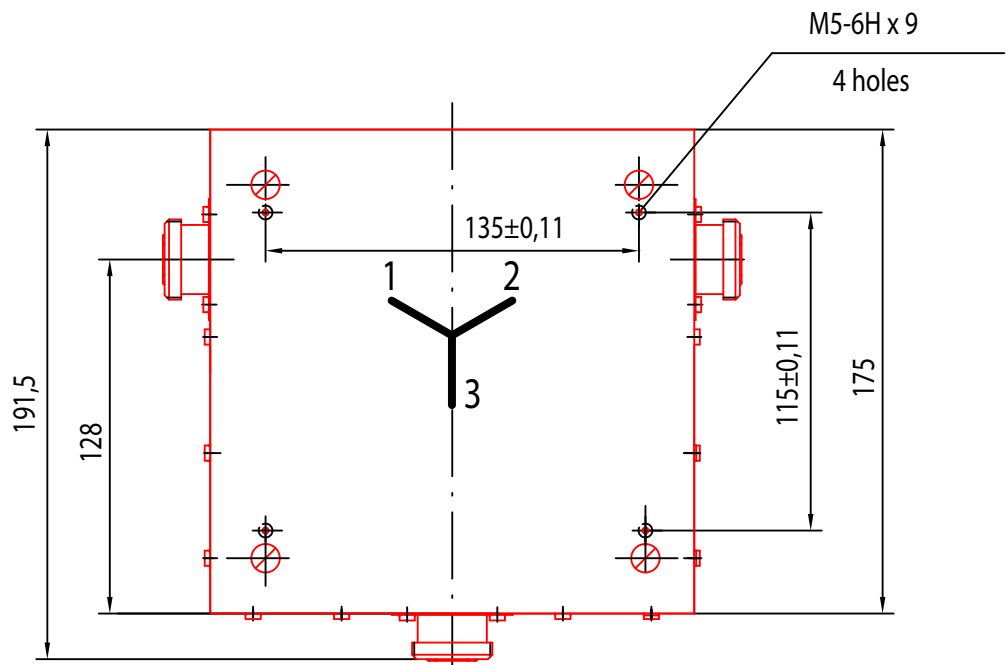
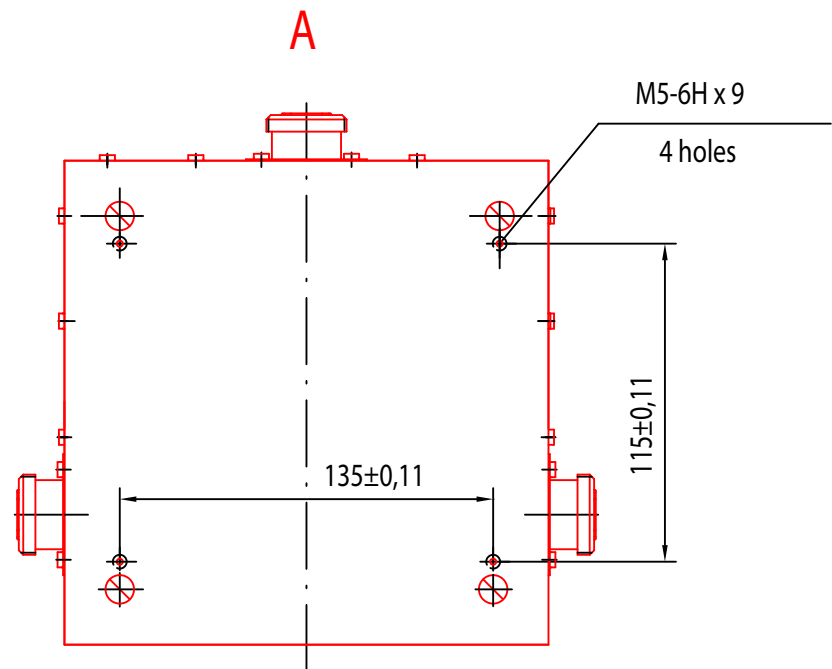
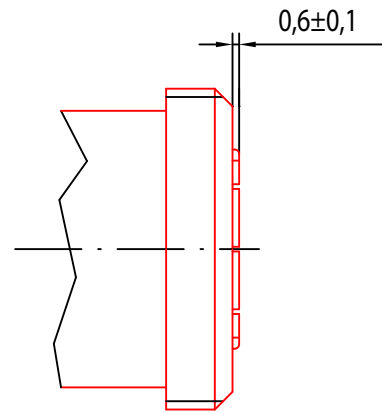



**A**



**Б (2:1)**



UNLESS OTHERWISE SPECIFIED DIMENSIONS ARE IN MM TOLERANCES ON	APPROVALS		DATE	 <b>D&amp;M Co "Ferrit-Quasar"</b> 196084, Russia, St. Petersburg, Chernigovskaya St. 8 Phone/fax : 7 812 3887915/7 812 3883145 E-mail : info@ferrite-quasar.ru WWW : www.ferrite-quasar.ru	
	DRAWN	MIKHAYLOVA	03.07.12		
DECIMALS	ANGLES	CHECKED	GOROBETS		03.07.12
.X± -		ISSUED			
.XX± -				<b>1CCM98-1</b> OUTLINE DRAWING	
.XXX± -					
MATERIAL				N° DWG <b>FQ-C-0104</b>	
SURFACE COATING	SIZE <b>A3</b>	SCALE <b>1:2</b>			
PAINTED	SHEET -	OF 1			